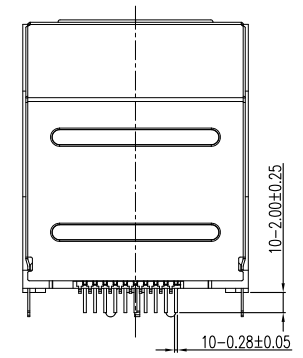
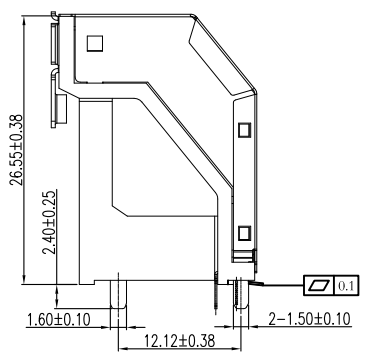
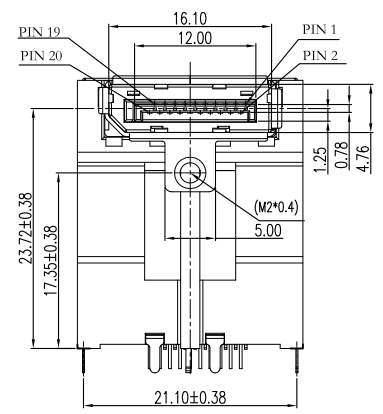


SPECIFICATION

- CURRENT RATING : 0.5A. MAX.
- DIELECTRIC WITHSTANDING VOLTAGE
500V AC R.M.S. FOR ONE MINUTE.
- INSULATION RESISTANCE : 100MΩ MIN.
AT 500V DC
- CONTACT RESISTANCE : 30mΩ MAX.
- OPERATING TEMPERATURE : -25°C TO +85°C.
- DURABILITY : 10000 CYCLES.
- MATING FORCE : 4.5kgf MAX.
- UNMATING FORCE : 1.0kgf MIN.

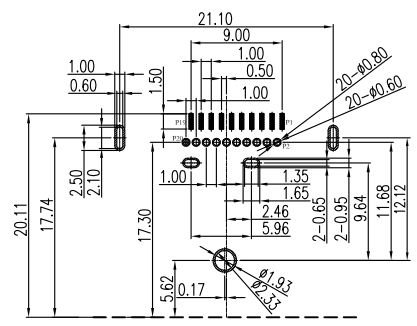
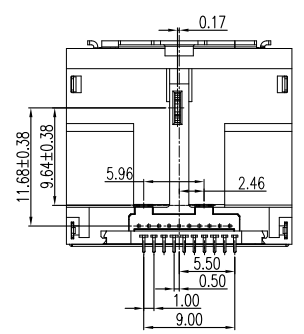
MATERIALS

- HOUSING : LCP (UL94V-0),BLACK.
- BRACKET : LCP (UL94V-0),BLACK.
- TERMINAL: COPPER ALLOY
GOLD FLASH PLATED ON CONTACT AREA, MATTE TIN 100u*MIN
PLATED ON SOLDER TAILS, NICKEL UNDER 50u*MIN
PLATED OVER ALL.
- SHELL:STAINLESS STEEL
- EMI SHELL(BACK): STAINLESS STEEL
NICKEL 50u*MIN PLATED OVERALL
- EMI SHELL(FRONT): STAINLESS STEEL
NICKEL 50u*MIN PLATED OVERALL
- BOARD LOCK: SPCC, TIN 100u*MIN PLATED OVERALL.



PIN ASSIGNMENTS

PIN NUMBER	SOURCE-SIDE PIN ASSIGNMENT	SINK-SIDE PIN ASSIGNMENT
PIN 1	ML_lane 0(p)	ML_lane 3(n)
PIN 2	GND	GND
PIN 3	ML_lane 0(n)	ML_lane 3(p)
PIN 4	ML_lane 1(p)	ML_lane 2(n)
PIN 5	GND	GND
PIN 6	ML_lane 1(n)	ML_lane 2(p)
PIN 7	ML_lane 2(p)	ML_lane 1(n)
PIN 8	GND	GND
PIN 9	ML_lane 2(n)	ML_lane 1(p)
PIN 10	ML_lane 3(p)	ML_lane 0(n)
PIN 11	GND	GND
PIN 12	ML_lane 3(n)	ML_lane 0(p)
PIN 13	CONFIG1	CONFIG1
PIN 14	CONFIG2	CONFIG2
PIN 15	AUX CH (p)	AUX CH (p)
PIN 16	GND	GND
PIN 17	AUX CH (n)	AUX CH (n)
PIN 18	HOT PLUG DETECT	HOT PLUG DETECT
PIN 19	RETURN	RETURN
PIN 20	DP PWR	DP PWR



RECOMMENDED P.C.B. LAYOUT
TOLERANCE±0.05(TOP VIEW)

版本	變更內容	日期
千川	MODIFIXATION	DATE

 東莞市千川电子有限公司
DONG GUAN QIAN CHUAN ELECTRONIC CO., LTD

公差	數量	制圖	潘红国	品名	DP 20Pin 母座 加高型DIP+SMT式 L=20, 32mm CH23, 72mm 五脚插板 帶M2螺牙		
TOLERANCE	QUANTITY	DRAWING	潘红国	TITLE			
X ± 0.38	單位	審核	TOMSCHEN	料號	SDPFFD1-GFUNOP36		
XX ± 0.25	mm	核准	L-H-L	PART NO.			
XXX ± 0.10	比例	角法	⊕	材質	圖号		
X° ± 2°	SCALE	PRUJ.	⊕	MATERIAL	DRAW NO.		
.X° ± - -	圖幅		⊕	SHEET	顏色		
	SIZE				1 OF 1		