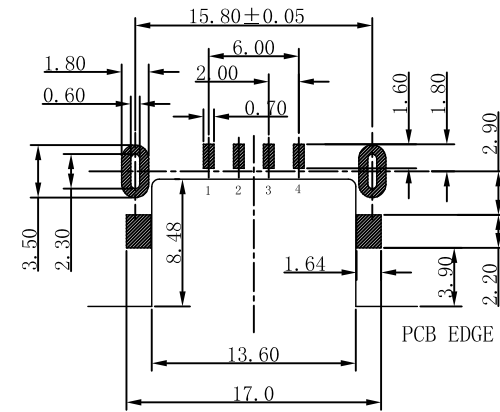
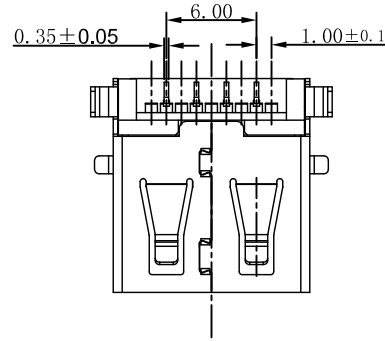
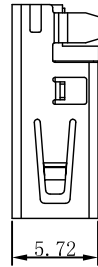
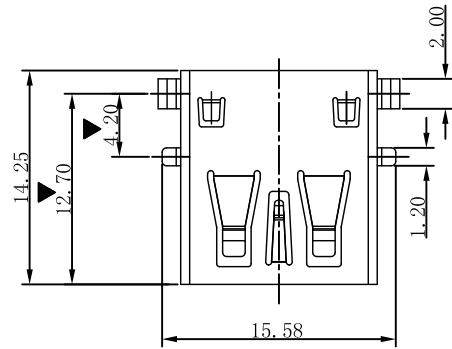
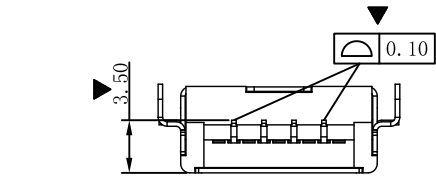
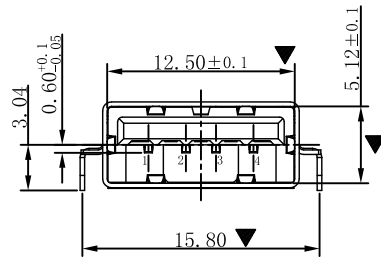


TECHNICAL REQUIREMENTS:

1. ELECTRICAL CHARACTERISTICS:
  - 1.1 CONTACT RESISTANCE: 30mΩ MAXIMUM
  - 1.2 CONTACT CURRENT RATING: 1.5A
  - 1.3 DIELECTRIC WITHSTANDING VOLTAGE: 500 V R. M. S.
  - 1.4 INSULATION RESISTANCE 1000 MEGOHMS MIN
  - 1.5 OPERATING TEMPERATURE: -40° C ~ 85° C
2. MECHANICAL CHARACTERISTICS:
  - 2.1 MATING FORCE: 35N MAX
  - 2.2 UNMATED FORCE: 10N MIN  
8N Min After Durability
  - 2.3 DURABILITY: MANDATORY: 1500 CYCLES



RECOMMENDED PCBA LAYOUT  
(TOLERANCE ± 0.05)



|       |         |  |      |
|-------|---------|--|------|
| 1     | HOUSING | HIGH TEMPERATURE PLASTIC UL94V-0   | ③    |
| 4     | CONTACT | COPPER ALLOY, GOLD FLASH PLATED ON CONTACT AREA<br>TIN PLATING ON SOLDER AREA, NI PLATING UNDER OVER ALL | ②    |
| 1     | SHELL   | SPCC/BRASS, Ni PLATING OVER ALL.   | ①    |
| QTY'S | PART    | SPECIFICATION  | ITEM |

|          |                      |            |
|----------|----------------------|------------|
| 版本<br>千川 | 變更內容<br>MODIFICATION | 日期<br>DATE |
| 00       | 新整理                  | 2020.11.15 |

東莞市千川电子有限公司  
DONG GUAN QIAN CHUAN ELECTRONIC CO., LTD

|                 |                |               |      |                |  |             |
|-----------------|----------------|---------------|------|----------------|--|-------------|
| 公差<br>TOLERANCE | 數量<br>QUANTITY | 制圖<br>DRAW IN | 潘紅國  | 品名<br>TITLE    | USB2.0 4Pin 母座 沉板SMT<br>外壳脚DIP+SMT CL=0.60mm |             |
| .X ± 0.38       | 單位<br>UNIT     | 審核<br>CHECKED | TOMS | 料號<br>PART NO. | QU2F04C1-GFSNOP31                            |             |
| .XX ± 0.25      | 比例<br>SCALE    | 核准<br>APPROVE | LHL  | 材質<br>MATERIAL | 圖號<br>DRAW NO.                               |             |
| .XXX ± 0.10     | 圖幅<br>SIZE     | 角法<br>PROJ.   |      | 頁數<br>SHEET    | 1 OF 1                                       | 顏色<br>COLOR |
| X° ± 2'         |                |               |      |                |  |             |
| .X° ± --        |                |               |      |                |  |             |