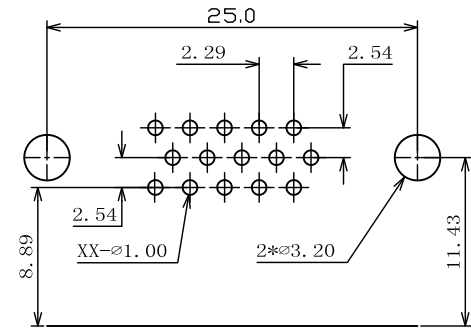
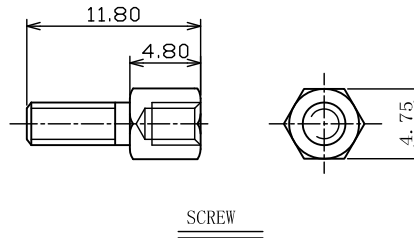
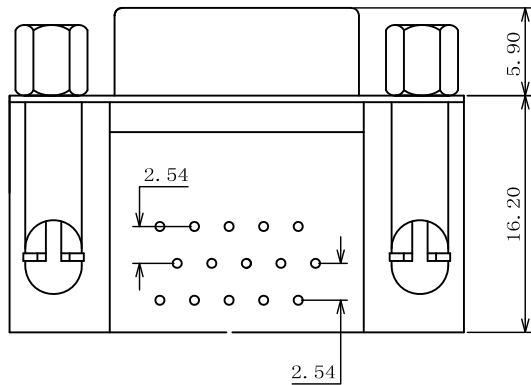


SPECIFICATIONS

- 1.1 Voltage: 250 VAC(RMS) Max.
- 1.2 Current Rating: 3 Ampere per Contact
- 1.3 Contact Resistance: 25 Milliohms Max.
- 1.4 Insulation Resistance: 5000 Megohms Min.
- 1.5 Dielectric Withstanding Voltage: 1000 VAC(RMS)
- 1.6 Total Mating Force: 6.0 Kgf Max.
- 1.7 Total Unmating Force: 1.2 Kgf Min.
- 1.8 Operating Temperature: -55° C to +85° C



RECOMMENDED PCB LAYOUT THICKNESS=1.6mm
TOLERANCE: ± 0.05



| QTY'S | PART | SPECIFICATION | ITEM |
|-------|-------------|---|------|
| 2 | BOARD LOCKS | BRASS ,Ni PLATING OVER ALL. | ⑦ |
| 2 | SCREW | STEEL ,Ni PLATING OVER ALL. | ⑥ |
| 2 | FISH FORK | SPCC,Tin PLATING OVER ALL. | ⑤ |
| 1 | COVER | HIGH TEMPERATURE PLASTIC UL94V-0 | ④ |
| 1 | HOUSING | HIGH TEMPERATURE PLASTIC UL94V-0 | ③ |
| 15 | CONTACT | COPPER ALLOY, GOLD FLASH PLATED ON CONTACT AREA TIN PLATING ON SOLDER AREA, NI PLATING UNDER OVER ALL. | ② |
| 1 | SHELL | SPCC,Ni PLATING OVER ALL. | ① |

| 版本 | 變更內容 | 日期 |
|----|--------------|------------|
| 千川 | MODIFICATION | DATE |
| 00 | 新整理 | 2020.05.28 |



東莞市千川电子有限公司
DONG GUAN QIAN CHUAN ELECTRONIC CO., LTD

| 公差 | 數量 | 制圖 | 潘红国 | 品名 | HDR8.89 15Pin母座 卧式DIP 铆锁4.8螺丝 黑/蓝胶 | | |
|-------------|----------|---------|----------|----------|------------------------------------|------|--|
| TOLERANCE | QUANTITY | DRAWIN | 潘红国 | 品名 | HDR8.89 15Pin母座 卧式DIP 铆锁4.8螺丝 黑/蓝胶 | | |
| .X ± 0.35 | 單位 | 審核 | Tomschen | 料號 | QHR8EB1-GFPL0P | | |
| .XX ± 0.25 | UNIT | CHECKED | Tomschen | PART NO. | QHR8EB1-GFPL0P | | |
| .XXX ± 0.05 | 比例 | 核准 | L-G-L | 材質 | 圖号 | A055 | |
| X° ± 2° | SCALE | APPROVE | L-G-L | MATERIAL | 顏色 | | |
| X° ± -- | 圖幅 | 角法 | PROJ. | 頁數 | 1 OF 1 | | |
| | SIZE | PROJ. | 角法 | SHEET | | | |
| | | | | | | | |