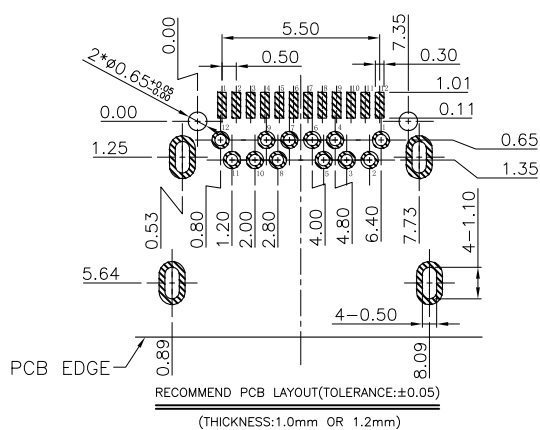
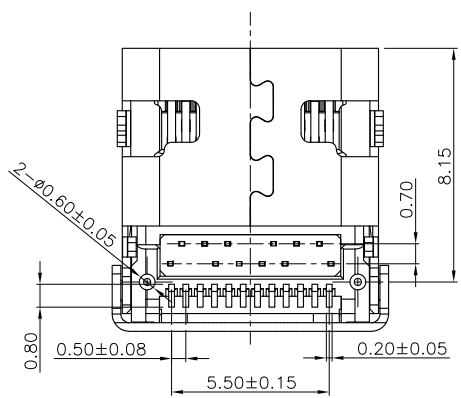
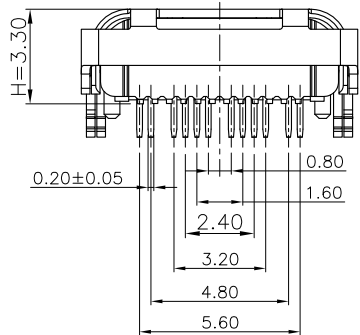
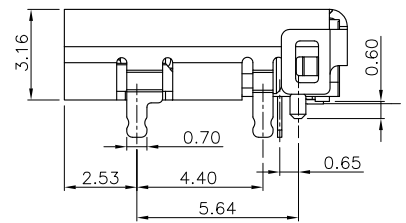
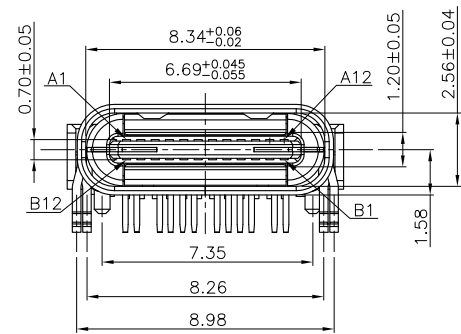
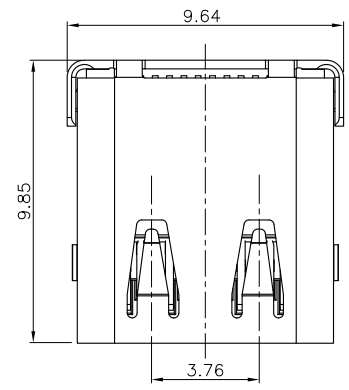
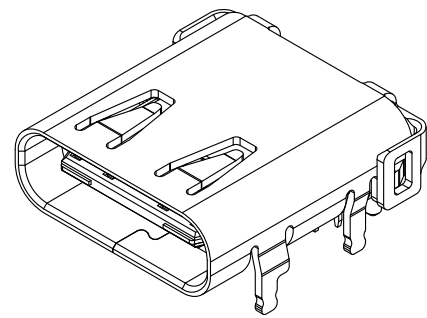


A
B
C
D
E
F

A
B
C
D
E
F

TECHNICAL REQUIREMENTS:
 1.MECHANICAL:
 INSERTION: 5~20N.
 EXTRACTION: 8~20N.
 DURABILITY: 10000 CYCLES
 2.ELECTRICAL:
 CURRENT: 5A MIN FOR VBUS;
 0.25A MIN FOR OTHER.
 VOLTAGE: 20 V MAX
 WITHSTANDING VOLTAGE: 100V AC.
 CONTACT RESISTANCE: 40mΩ MAX.
 INSULATION RESISTANCE: 100MΩ MIN.
 3.ENVIRONMENTAL
 TEMPERATURE RANGE -55°C ~ +85°C



2	HOUSING	LCP BLACK UL94V-0	⑤
20	CONTACT	COPPER ALLOY, GOLD FLASH PLATED ON CONTACT AREA TIN PLATING ON SOLDER AREA, NI PLATING UNDER OVER ALL	④
1	Mid Plate	Stainless Steel	③
1	GND Plate	Stainless Steel	②
1	SHELL	Stainless Steel, Ni PLATING OVER ALL.	①
QTY'S	PART	SPECIFICATION	ITEM

版本	變更內容	日期
千川	MODIFIXATION	DATE



公差	數量	制圖	潘富国	品名	USB TYPE C 24Pin 母座 板上式DIP+SMT H=3.30mm 單壳帶彈有柱 L=9.80mm			
TOLERANCE	QUANTITY	DRAWIN		TITLE				
.X ± 0.35	單位	審核	TOMS	料號	SUCF24AD3-GFUNOR6			
.XX ± 0.25	mm	核准	LGL	材質				
.XXX ± 0.15	比例	角法		MATERIAL				
X° ± 3°	圖幅	PROJ.		頁數	1 OF 2	顏色		
.X° ± 1.5°	SIZE			SHEET		COLOR		