

- 1.SERIES NO.
DISPLAYPORT ADD HDMI COMBO
RECEPTACLE DIP TYPE CONNECTOR
- 2.PRODUCT CONSTRUCTION TYPE
HDMI+DISPLAYPORT
- 3.CONTACT&CONNECTION TYPES:
SOCKET
- 4.COLOR CODES
BLACK
- 5.CONTACT PLATING:
0:SELECTIVER GOLD FLASH OVER NICKEL
2:SELECTIVER 15u" GOLD OVER NICKEL
3:SELECTIVER 30u" GOLE OVER NICKEL
4:GOLE FLASH ALLOVER OVER NICKEL
- 6.SHELL CONSTRUCTION
SHELL TAIL THROUGH HOLE TYPE WITH RIB
SHELL TAIL THROUGH HOLE TYPE WITHOUT RIB
- 7.SHELL PLATING
SOLDERABLE NICKEL PLATED
GOLD FLASH PLATED
- 8.HOUSING CONSTRUCTION
HOUSING WITHOUT POLES
HOUSING WITH POLES
- 9.SUFFIX NO.1
PVC TRAY PACKAGE
- 10.SUFFIX NO.2
HOUSING AND SPACER MATERIALS IS PBT
- 11.SUFFIX NO.3
HOUSING WITH PARTITION BOARD
- 12.SUFFIX NO.4
FOR YING TAI
COMMONAGE
- 13.SUFFIX NO.5
WITH DATE CODE
NONE: WITHOUT DATE CODE

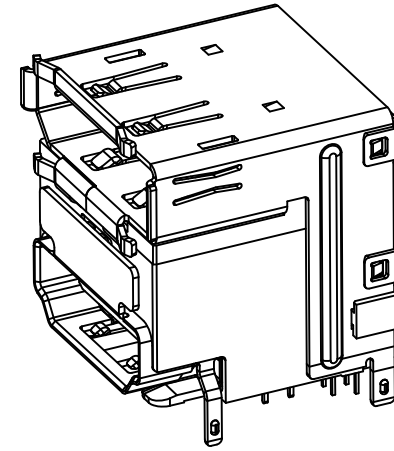
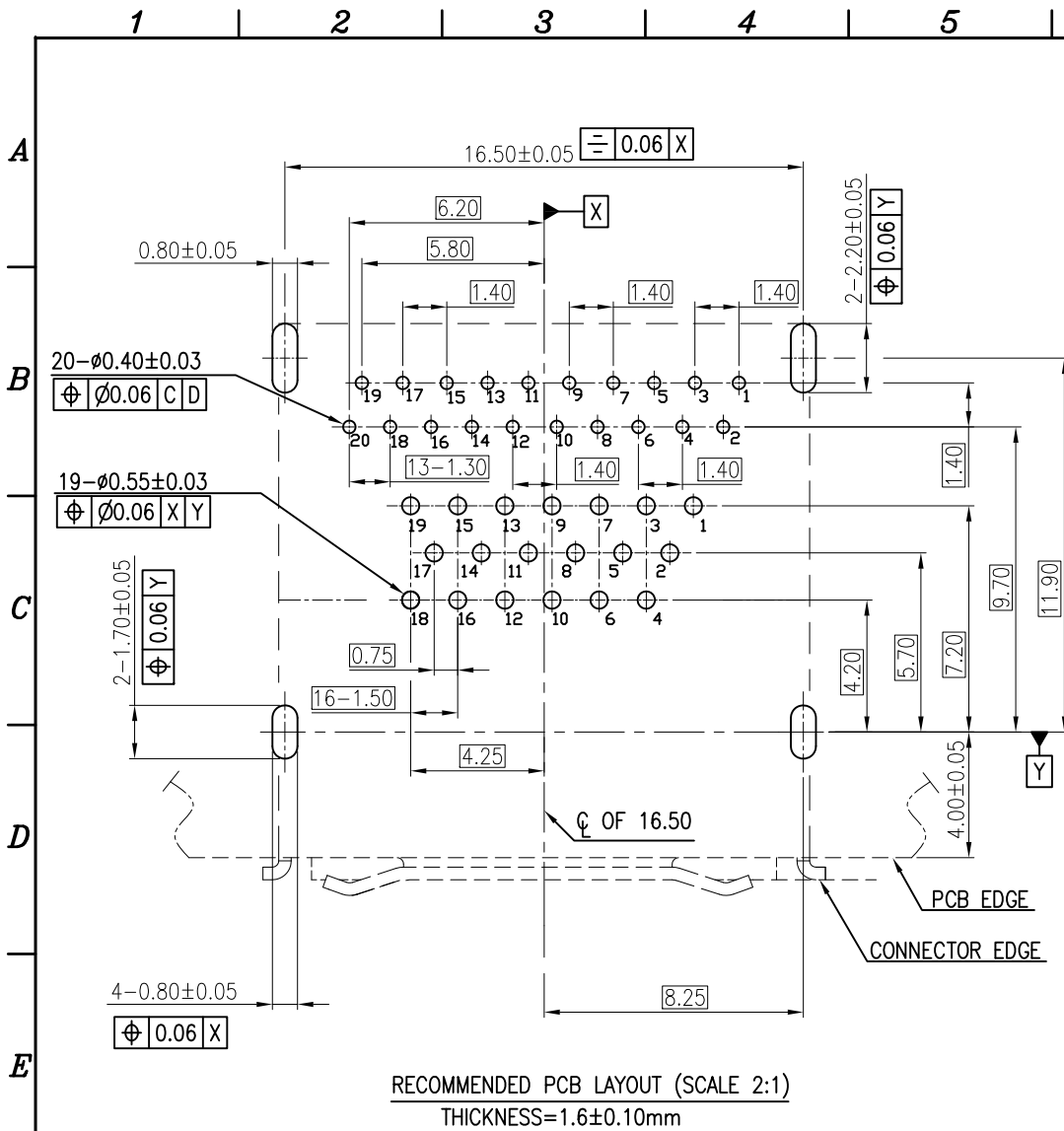
TABLE A:

ITEM	PART NAME	Q'TY	MATERIALS	NOTES
⑦	HDMI CONTACT	19	COPPER ALLOY	SELECTIVER Au OVER Ni
⑥	DISPLAYPORT CONTACT	20	COPPER ALLOY	SELECTIVER Au OVER Ni
⑤	BACK SHELL	1	STEEL	Cu UNDER PLATING Ni OVER
④	HDMI SHELL	1	COPPER ALLOY	Cu UNDER PLATING Ni OVER
③	DISPLAYPORT SHELL	1	COPPER ALLOY	Cu UNDER PLATING Ni OVER
②	SPACER	1	THERMOPLASTIC	UL94V-0
①	HOUSING	1	THERMOPLASTIC	UL94V-0

版本	變更內容	日期
千川	MODIFICATION	DATE

東莞市千川电子有限公司
DONG GUAN QIAN CHUAN ELECTRONIC CO., LTD

公差	數量	制圖	潘富国	品名	DP+HDMI 39Pin 母座 卧式SMT 双层 无定位柱 L=18.05mm		
.X ± 0.35	單位	審核	LJ	料號	QDP39P1-GNBNOP2		
.XX ± 0.25	mm	核准	LGL	材質			
.XXX ± 0.15	比例	角法	⊕ □	頁數	1 OF 2	顏色	
X° ± 3°	圖幅	SIZE	A4	SHEET			
.X° ± 1.5°							



NOTE:

1. MECHANICAL:

1.1 INSERTION FORCE:

1.1.1 HDMI:44.1N MAX

1.1.2 DISPLAYPORT:44.1MAX

2.1 WITHDRAWAL FORCE:

2.1.1 HDMI:9.8N MIN,39.2N MAX

2.1.2 DISPLAYPORT:9.8N MIN,39.2N MAX

2.ELECTRICAL:

2.1 CONTACT CURRENT RATING:

2.1.1 HDMI:0.5A MAX

2.1.2 DISPLAYPORT:0.5A MAX

2.2 VOLTAGE RATING:

2.2.1 HDMI:40V AC(RMS)

2.2.2 DISPLAYPORT:40V AC(RMS)

2.3 WITHSTANDING VOLTAGE(MATED):

2.3.1 HDMI:300V AC(RMS)

2.3.2 DISPLAYPORT:300V AC(RMS)

2.4 INSULATION RESISTANCE(MATED):

2.4.1 HDMI:150V DC

2.4.2 DISPLAYPORT:150V DC

3. ENVIRONMENTAL:

3.1 OPERATING TEMPERATURE:

3.1.1 HDMI:-25° TO +85°

3.1.2 DISPLAYPORT:-25° TO +85°

RECOMMENDED PCB LAYOUT (SCALE 2:1)
THICKNESS=1.6±0.10mm

版本	變更內容	日期
千川	MODIFICATION	DATE



東莞市千川电子有限公司

DONG GUAN QIAN CHUAN ELECTRONIC CO.,LTD

公差 TOLERANCE	數量 QUANTITY	制圖 DRAWIN	潘富国	品名 TITLE
.X ± 0.35	單位 UNIT	審核 CHECKED	LJ	料號 PART NO.
.XX ± 0.25	比例 SCALE	核准 APPROVE	LGL	材質 MATERIAL
.XXX ± 0.15	圖幅 SIZE	角法 PROJ.		頁數 SHEET
X° ± 3°	A4			2 OF 2
.X° ± 1.5°				顏色 COLOR