

A

B

C

D

E

F

A

B

C

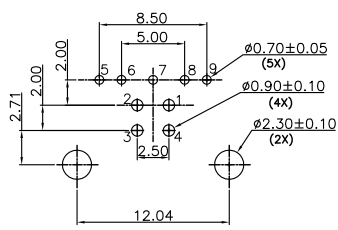
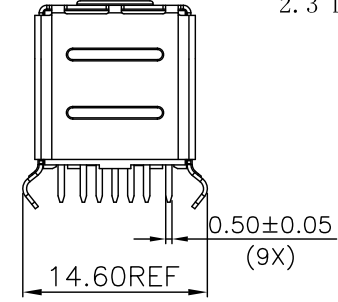
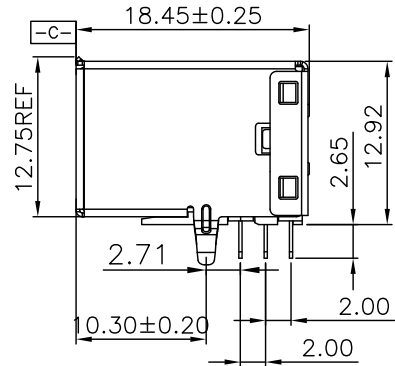
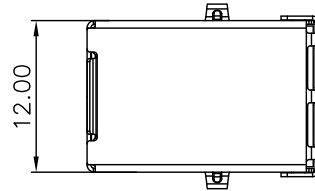
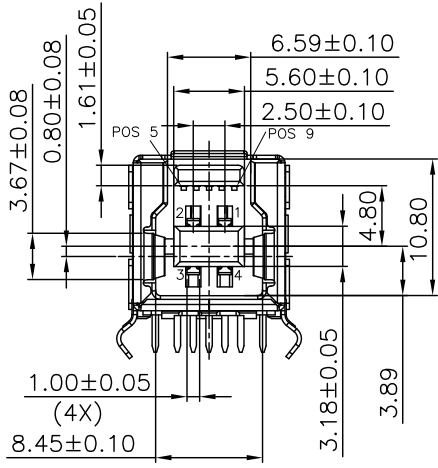
D

E

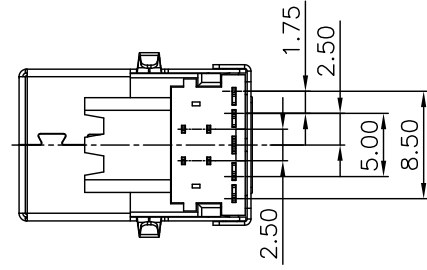
F

TECHNICAL REQUIREMENTS:

1. ELECTRICAL CHARACTERISTICS;
  - 1.1 CONTACT RESISTANCE: 30mΩ MAXIMUM
  - 1.2 CONTACT CURRENT RATING: 1.5A
  - 1.3 DIELECTRIC WITHSTANDING VOLTAGE: 500 V R. M. S.
  - 1.4 INSULATION RESISTANCE 1000 MEGOHMS MIN
  - 1.5 OPERATING TEMPERATURE: -40° C ~ 85° C
2. MECHANICAL CHARACTERISTICS;
  - 2.1 MATING FORCE: 35N MAX
  - 2.2 UNMATED FORCE: 10N MIN
  - 2.3 DURABILITY: MANDATORY: 5000 CYCLES



RECOMMENDED PCB LAYOUT  
TOLERANCE ± 0.05



QTY'S	PART	SPECIFICATION	ITEM
1	HOUSING	HIGH TEMPERATURE PLASTIC UL94V-0	③
9	CONTACT	COPPER ALLOY, GOLD FLASH PLATED ON CONTACT AREA TIN PLATING ON SOLDER AREA, NI PLATING UNDER OVER ALL	②
1	SHELL	SPCC/BRASS ,Ni PLATING OVER ALL.	①

版本 千川	變更內容 MODIFICATION	日期 DATE



公差 TOLERANCE	數量 QUANTITY	制圖 DRAWING	潘富国	品名 TITLE	USB3.0 9Pin B型母座 卧式DIP 大弯角 L=18.45mm H=12.90mm		
.X ± 0.35	單位 UNIT	審核 CHECKED	TOMS	料號 PART NO.	SU3BF9A1-GFBNOP33		
.XX ± 0.25	比例 SCALE	核准 APPROVE	L G L	材質 MATERIAL			
.XXX ± 0.15	圖幅 SIZE	角法 PROJ.	⊕ □	頁數 SHEET	1 OF 1	顏色 COLOR	
X° ± 3°							
.X° ± 1.5°							