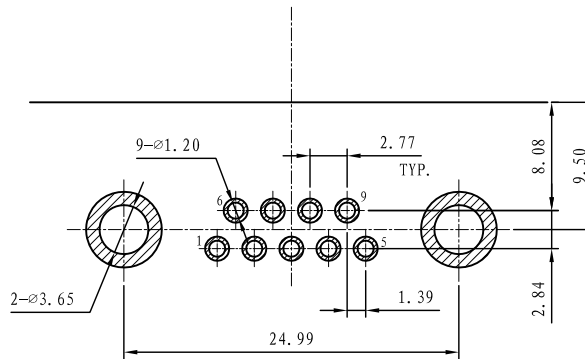
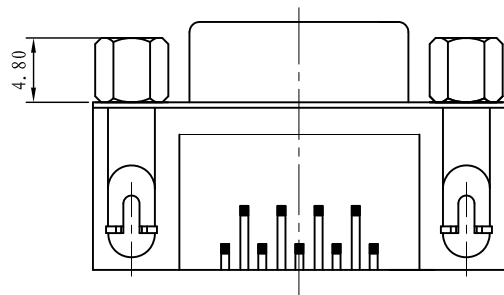
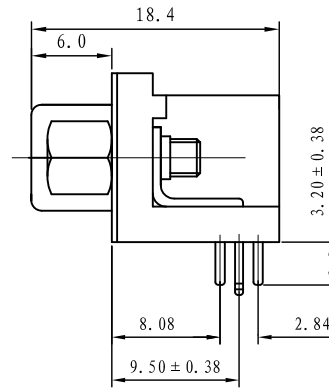
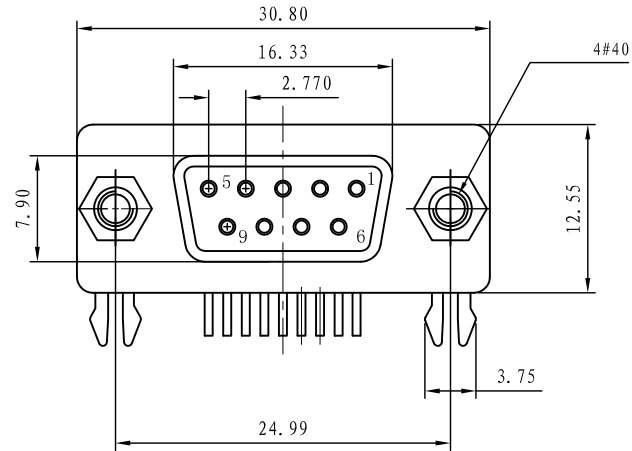


RoHS COMPLIANT

SPECIFICATIONS

- 1.1 Voltage: 250 VAC(RMS) Max.
- 1.2 Current Rating: 3 Ampere per Contact
- 1.3 Contact Resistance: 25 Milliohms Max.
- 1.4 Insulation Resistance: 5000 Megohms Min.
- 1.5 Dielectric Withstanding Voltage: 1000 VAC(RMS)
- 1.6 Total Mating Force: 6.0 Kgf Max.
- 1.7 Total Unmating Force: 1.2 Kgf Min.
- 1.8 Operating Temperature: -55° C to +85° C



RECOMMENDED PCB LAYOUT (BOTTOM VIEW)

T=1.60MM, TOLERANCE: ± 0.05

2	BOARD LOCKS	BRASS ,Ni PLATING OVER ALL.	⑦
2	SCREW	STEEL ,Ni PLATING OVER ALL.	⑥
2	FISH FORK	SPCC,Tin PLATING OVER ALL.	⑤
1	COVER	HIGH TEMPERATURE PLASTIC UL94V-0	④
1	HOUSING	HIGH TEMPERATURE PLASTIC UL94V-0	③
15	CONTACT	COPPER ALLOY; GOLD FLASH PLATED ON CONTACT AREA TIN PLATING ON SOLDER AREA, NI PLATING UNDER OVER ALL.	②
1	SHELL	SPCC,Ni PLATING OVER ALL.	①
QTY'S	PART	SPECIFICATION	ITEM

版本 千川	變更內容 MODIFICATION	日期 DATE
00	新整理	2020.10.28

 東莞市千川电子有限公司  
DONG GUAN QIAN CHUAN ELECTRONIC CO., LTD

公差 TOLERANCE	數量 QUANTITY	制圖 DRAWING	潘红国	品名 TITLE	DR8.08 9母/公 卧式DIP 铆锁4.8螺丝 黑/蓝胶		
.X ± 0.35	單位 UNIT	審核 CHECKED	TOMS	料號 PART NO.	SDR8CB2-GFPB1P23		
.XX ± 0.25	比例 SCALE	核准 APPROVE	LGL	材質 MATERIAL	圖号 DRAW NO.		
.XXX ± 0.10	圖幅 SIZE	角法 PROJ.		頁數 SHEET	1 OF 1	顏色 COLOR	
X° ± 2°							
X° ± --							